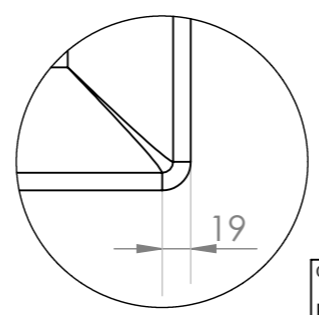
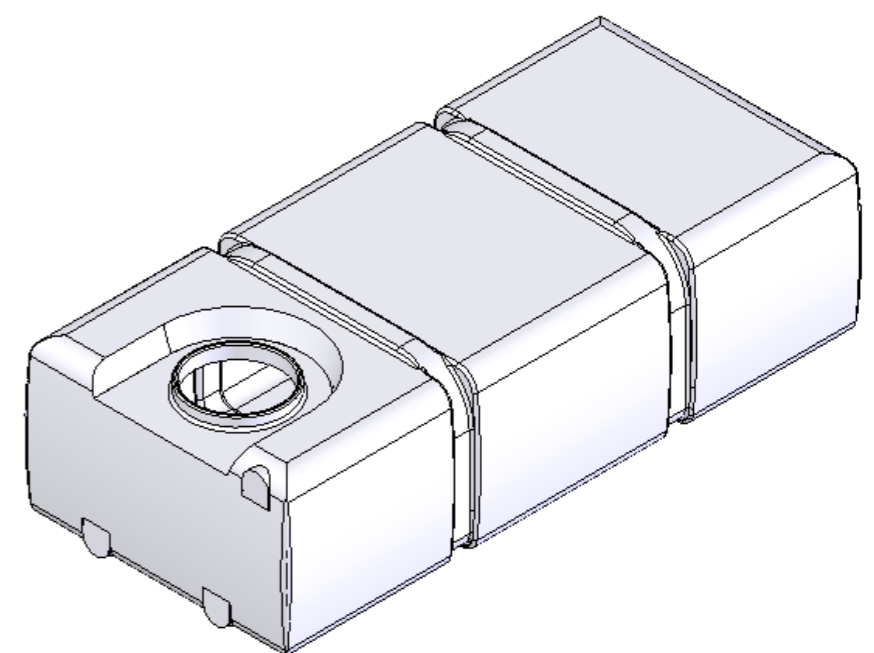
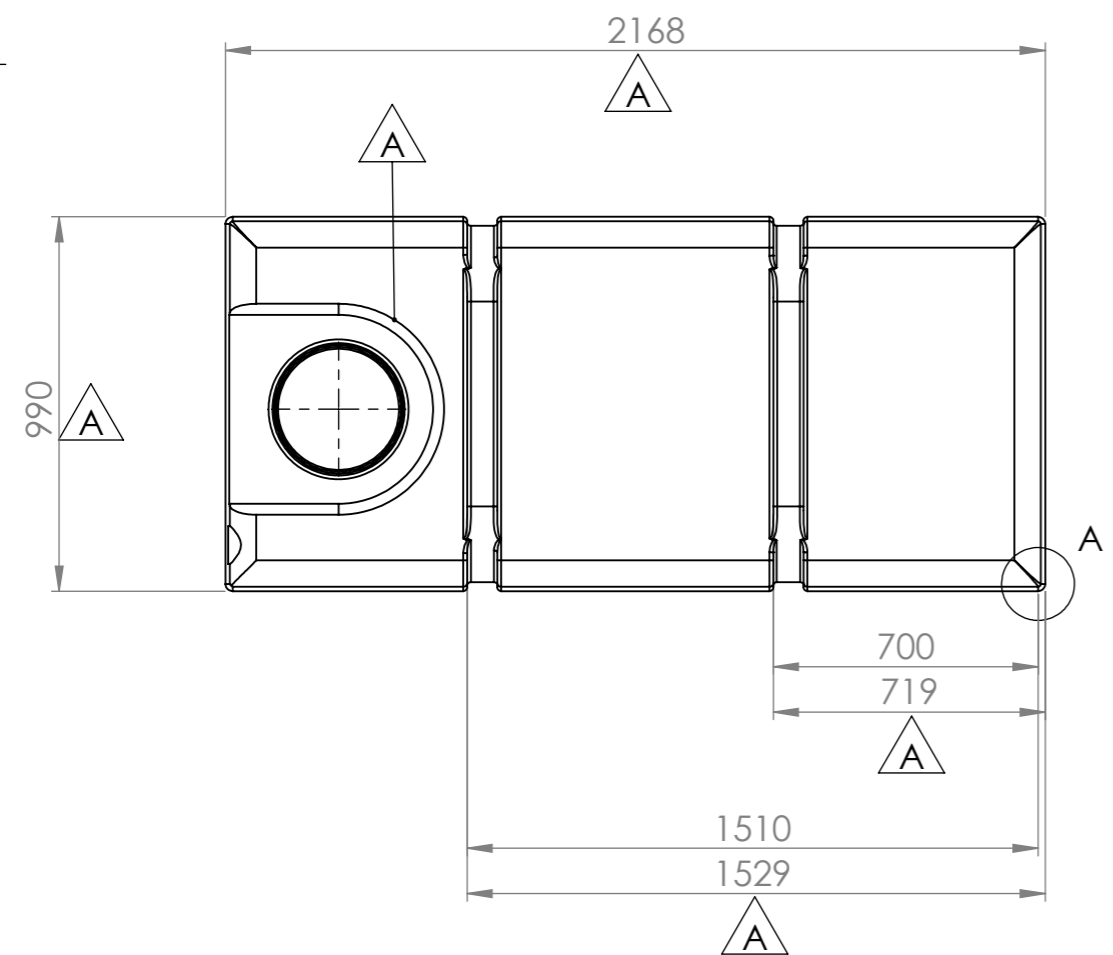
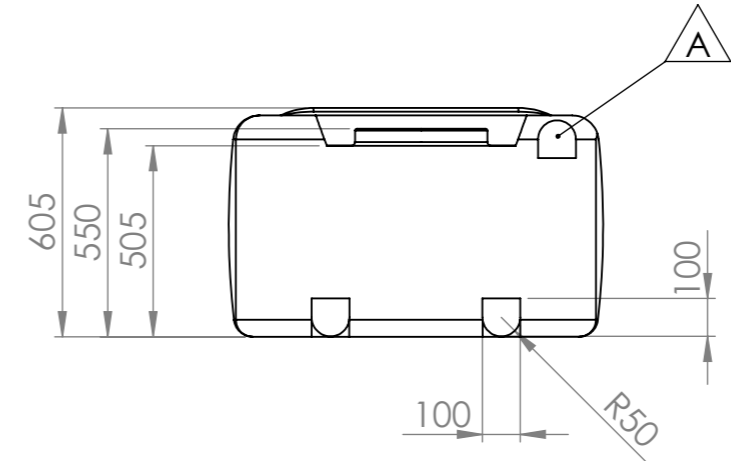
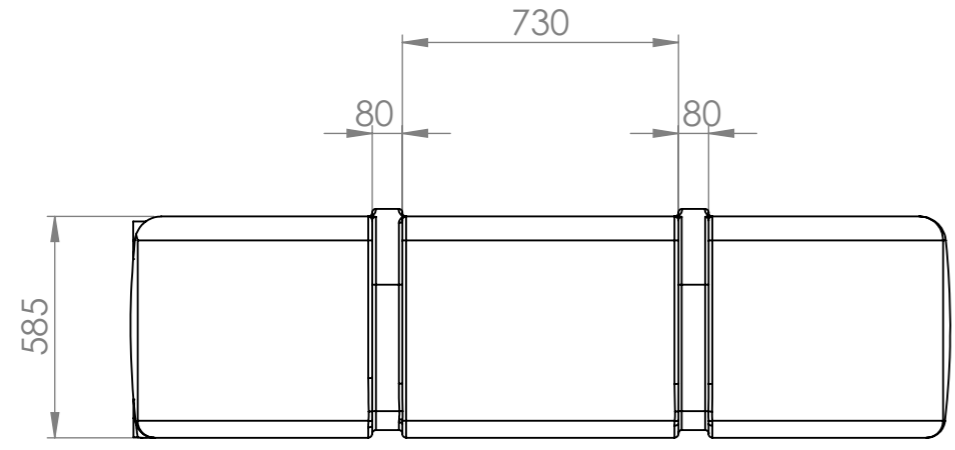


REVISIONS				
ZONE	REV.	DESCRIPTION	DATE	APPROVED
A	A	<ul style="list-style-type: none"> Total length reduced by 100mm (from 2268 to 2168). Width reduced by 28mm (from 1018 to 990). Distance between end of fillet at back end of the tank and left side of the right groove reduced by 20mm (from 720 to 700). Distance between end of fillet at back end of the tank and left side of the left groove reduced by 80mm (from 1590 to 1510). Added mounting surface in upper right corner at the front end of the tank. Fillet removed at top edge of the lowering to the tank opening. 	02.02.2015	
		KFL		



DETAIL A
SCALE 1 : 5

Generelle toleranser om ikke annet er oppgitt på tegning	Tilatte avvik for måleområde. Gjelder ved +20°C				
General tolerances if not other stated on drawing	Permissible deviations for basic length size range. Valid +20°C				
	0-20	>20-75	>75-150	>150-300	>300
	±0,5mm	±1mm	±1,5mm	±1,3%	±1%

Constructed by - date	Evaluated by	Approved by - date	General Tolerances	Material	Finish, Ra	View	Scale
RA 08.06.2009			NS-ISO 2768-1	PE			1:20
Owner		Titel/Description		Revision	Sheet size	Sheet	
		1409431_rev A Container, rectangular 1000 litres		A	A3	1(1)	
Drawing number							
625-34							